

佳木斯防爆电机有限公司

厂址：中国黑龙江省佳木斯市东风区建国街418号

电话：0454-8337277

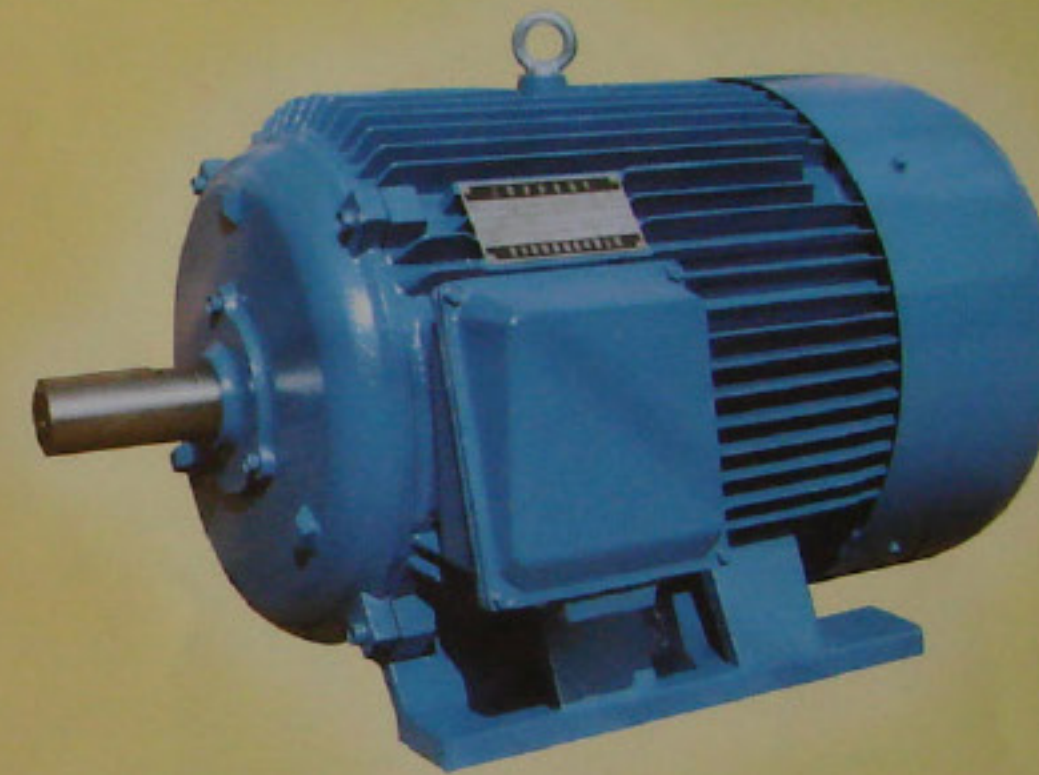
传真：0454-8399926

邮编：154005

JIAMUSI EXPLOSION-PROOF ELECTRIC MOTOR CO.,LTD

佳木斯防爆电机有限公司

JIAMUSI EXPLOSION-PROOF ELECTRIC MOTOR CO.,LTD



Y系列普通型，Y-F系列防腐型

三相异步电动机

THREE PHASE ASYNCHRONOUS MOTORS

### 概述

Y 系列 (IP44) 是全封闭自扇冷式鼠笼型三相异步电动机。是全国统一设计的基本系列,是取代 J02 系列的更新换代产品。

Y 系列三相异步电动机具有高效、节能、起动转矩高、噪声低、振动小、运行安全可靠、外形美观等优点。功率等级和安装尺寸完全符合国际电工委员会 (IEC) 标准。

Y 系列三相异步电动机为一般用途的三相异步电动机,适用于驱动无特殊性能要求的各种机械设备,如金属切削机床、泵、风机、运输机械、搅拌机、农业机械、食品机械等。由于 Y 系列三相异步电动机具有较好的起动性能,因此也适用于对起动转矩有较高要求的机械,如压缩机等。并适用于灰尘多,水土飞溅的场所。

Y-F 系列防腐型三相异步电动机是在 Y 系列基础上派生出来的电动机新产品,除具有 Y 系列三相异步电动机的所有优点外,对于户内、户外环境中的潮气、霉菌、盐雾、雨水、风砂、日辐射及严寒 (零下 25℃) 等均有良好的防护作用。

Y-F 系列防腐型三相异步电动机适用范围广泛。普遍应用在制酸、制碱、制盐及造纸、印染、制药、化肥等行业。

### General

Y range of Electric Motors (IP44) are TEFC three-phase squirrel-cage induction motors, which are a basic range and substituted for JO2 range of motors.

Y range of motors have the advantages of higher efficiency, energy saving, high starting torque, low-noise, small vibration, higher safety and reliability in operation, and beautiful appearance. Rated outputs and mounting dimensions conform to IEC standards.

Y range of Electric Motors are conventional and suitable for driving machineries without special requirements, such as metal cutting machine tools, pumps, fans, conveyers, mixers, agricultural machines, and food processing equipments, etc.. Due to better starting performance, the motors are also suitable for driving the machines requiring higher torque, such as compressor, etc..

Y-F range of corrosion-proof three-phase induction motors are the new products derived from Y-series. Besides all advantages of Y-series three-phase induction motors, they are good to protect the moisture, impact, salt-vapour, rain-water, sandy wind, solar radiation and severe cold (-25℃), etc. Indoor or outdoor conditions.

Y-F range of corrosion-proof three-phase induction motors are widely used in the following industries: acid-alkali product, salt-product, papermaking, printing-dyeing, pharmacy, fertilizer, etc..

### 结构简介

Y 系列三相异步电动机采用传统的封闭自扇冷式结构、电机设有内循环通风系统,风路顺畅。基本防护等级为 IP44,也可按用户要求制成 IP54 或 IP55,风罩由薄钢板拉伸后冲孔制成,外形美观,钢性好并满足 IP44 的防护要求。

定子绕组材料采用高强度聚酯漆包圆铜线。定于铁心嵌线后经真空压力浸渍无溶剂漆工艺 (VPI) 处理,因此提高了电动机的绝缘性能、机械强度和防潮性能。电动机的绝缘等级为 B 级或 F 级。

转子采用鼠笼型铸铝结构,铸铝转子经过精密平衡后,保证电机运转平稳。无特殊要求时,电机轴伸为单轴伸,经协议也可提供双轴伸的电机。

主出线盒一般位于电动机右侧 (从轴伸端看),但电动机中心高 H63-71 的主出线盒位于电动机顶部。主出线盒具有良好的密封性能,接线空腔大,盒内设有六个接线端子。主出线盒内外均设有接地装置。

Y-F 系列防腐型三相异步电动机在 Y 系列三相异步电动机的基础上,在轴伸处增加甩水环和密封环,并随转轴一起转动,实现了动态密封。轴承外盖与端盖之间增加密封圈,止口配合面涂密封胶,外露紧固件采用优质耐酸的不锈钢件,电机外表面涂防腐漆,具有优良的防腐性能。

### Construction

Y-series motors are of traditional TEFC construction, the motors are provided with internal circulating ventilation system. Basic degree of protection is IP44, it can be made into IP54 or IP55 for customer's requirement. The cowl is made from thin steel plate stretched and punched and hence smooth in air conduit, beautiful in appearance, good rigidity, and meets the requirements of IP44.

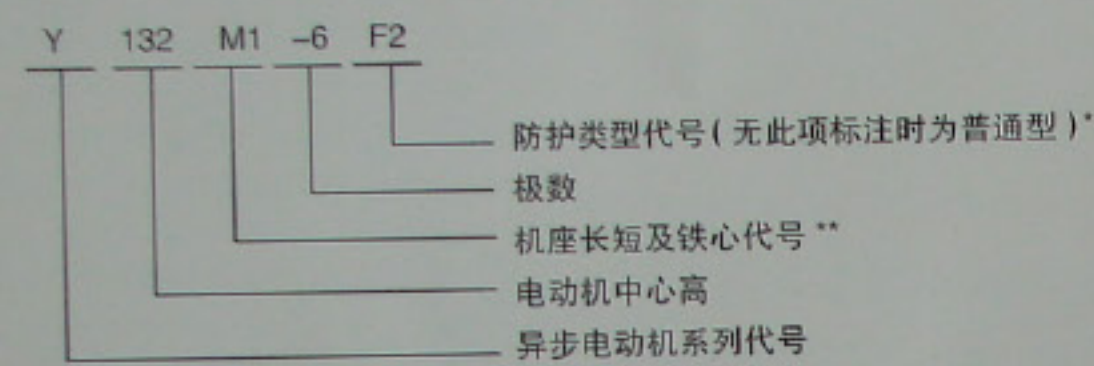
The stator winding is made of high mechanical strength polyester enameled copper wires. The stator core with winding is available using Vacuum Pressure Impregnated (VPI) non-solvent lacquer process to make them for an integral structure, the windings and the insulation have good insulating property, mechanical strength and moisture resistance. These windings are class B or F insulation.

The rotor is of aluminium-cast squirrel-cage structure. The aluminium-cast rotor is fixed on the shaft by shrink fit, and are precisely balanced, to ensure that the motor runs smoothly. The motors are normally provided with one shaft extension. Double-shaft-extension motors are available in accordance with an agreement.

The main terminal box is located at the right-hand side of the motor as viewed from the shaft extension end. But the main terminal box of frame size 63-71 is located at the top of the motor. The main terminal box has good sealing performance. The space inside the box is ample. There are six terminals in the terminal board. Earthing device is provided inside and outside the main terminal box.

Y-F range of corrosion-proof induction motors are based on Y range of three-phase induction motor, fitted with water thrower and sealed ring, and rolling with the shaft to realize dynamic sealing. There is a sealed ring between endshield and external bearing cover, the spigot joints is smeared with seal gum. The out fasteners are made of high quality acid-proof stainless steel, covered with anti-corrosive paint, the motor have advantage anti-corrosive performance.

电动机型号含义

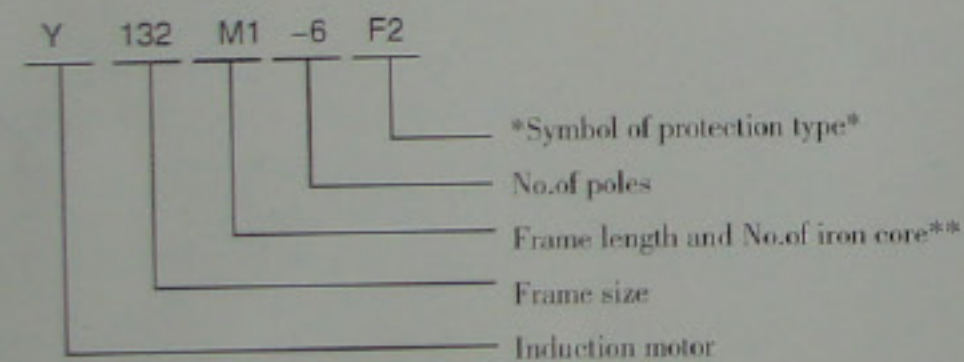


\*防护类型代号含义:

W ---- 户外防轻腐蚀型    WF1 ---- 户外防中腐蚀型    WF2 ---- 户外防强腐蚀型  
 F1 ---- 户内防中腐蚀型    F2 ---- 户内防强腐蚀型

\*\*S— 短机座、M— 中机座、L— 长机座、1— 第一种铁心长度

Meaning of Type of Motors



\*Meaning of symbol of protection type.

W ---- Outdoor weak corrosion-proof type  
 WF1 ---- Outdoor moderate corrosion-proof type  
 WF2 ---- Outdoor strong corrosion-proof type  
 F1 ---- Indoor moderate corrosion-proof type  
 F2 ---- Indoor strong corrosion-proof type

\*\*S— Short Frame, M— Medium Frame, L— Long Frame, 1— Core length No.1

使用条件

1、Y 系列、Y-F 系列通用使用条件:

环境温度: 随季节变化, -20℃~+40℃;

电 压: 380V;

海 拔: 不超过 1000m;

接 法: Δ接或 Y 接;

频 率: 50Hz;

工作方式: 连续 S1

注: 对频率、电压等如有特殊要求, 请在订货时提出。

Service Condition

1、Y, Y-F ranges of motors in common service condition.

Ambient temperature: changes with season(-20℃~+40℃)

Voltage: 380V;

Altitude: up to 1,000m above sea level

Connection: Δ or Y

Frequency: 50Hz

Duty type: continuous rating S1

Note: If You have any special requirements for frequency and voltage, please specify them when ordering.



技术数据 Technical Data

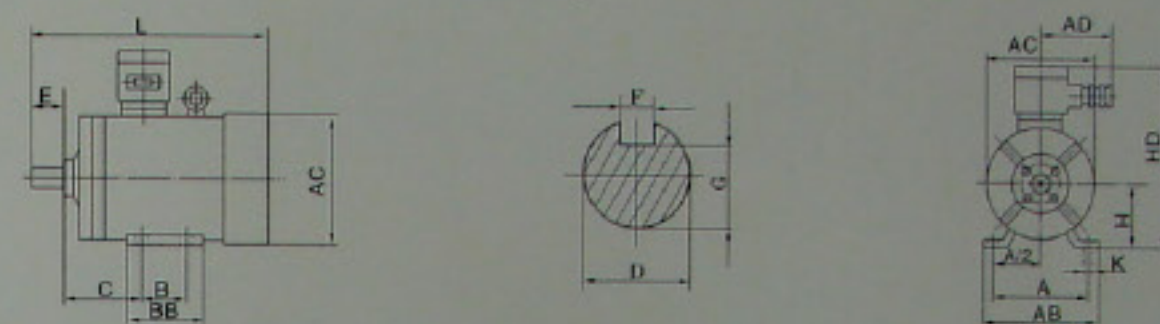
Table with 13 columns: Model, Output, Speed, Current (220V/380V), Efficiency, Power Factor, Locked-rotor current, Locked-rotor torque, Breakdown torque, Weight, Noise level (I/II). Includes sub-sections for 3000, 1500, and 750 r/min synchronous speeds.

Table with 13 columns: Model, Output, Speed, Current (220V/380V), Efficiency, Power Factor, Locked-rotor current, Locked-rotor torque, Breakdown torque, Weight, Noise level (I/II). Includes sub-sections for 1000, 750, and 600 r/min synchronous speeds.

型号 Type	功率 output (Kw)	转速 Rated Speed (r/min)	电流 Current (220V) (A)	电流 Current (380V) (A)	效率 Eff (%)	功率因数 Power factor (cos φ)	堵转电流 Locked-rotor current Rated current	堵转转矩 Locked-rotor torque Rated torque	最大转矩 Breakdown torque Rated torque	重量 Weight (Kg)	噪声 Noise level Lp dB(A)	
											I	II
同步转速 3000 转 / 分 (2 极) Synchronous Speed 3000 r/min (2 Pole) 50Hz												
355S1-2	185	2980	322	349	94.6	0.92	7.0	1.7	2.3	1420		
355S2-2	200	2980	349	383	94.8	0.92	7.0	1.7	2.4	1490		
355M1-2	220	2980	383	434	94.8	0.92	7.0	1.7	2.4	1550		
355M2-2	250	2980	434	479	95.3	0.92	7.0	1.7	2.4	1630		
355L1-2	280	2980	479	535	95.3	0.92	7.0	1.7	2.4	1775		
355L2-2	315	2980	535		95.6	0.92	7.0	1.7	2.4	1900		
同步转速 1500 转 / 分 (4 极) Synchronous Speed 1500 r/min (4 Pole) 50Hz												
355S1-4	185	1480	338	365	95.0	0.90	7.0	2.1	2.4	1695		
355S2-4	200	1480	365	400	95.2	0.90	7.0	2.1	2.4	1738		
355M1-4	220	1480	400	450	95.2	0.90	7.0	2.1	2.4	1820		
355M2-4	250	1480	450	500	95.5	0.90	7.0	2.1	2.4	1890		
355L1-4	280	1480	500	560	95.5	0.90	7.0	2.1	2.4	2095		
355L2-4	315	1480	560		95.6	0.90	7.0	2.1	2.4	2180		
同步转速 1000 转 / 分 (6 极) Synchronous Speed 1000 r/min (6 Pole) 50Hz												
355S-6	160	980	294	339	94.5	0.88	7.0	2.0	2.2	1690		
355M1-6	185	980	339	368	94.5	0.88	7.0	2.0	2.2	1740		
355M2-6	200	980	368	402	94.7	0.88	7.0	2.0	2.2	1820		
355L1-6	220	980	402	457	94.7	0.88	7.0	2.0	2.2	1910		
355L2-6	250	980	457		95.0	0.88	7.0	2.0	2.2	2120		
同步转速 750 转 / 分 (8 极) Synchronous Speed 750 r/min (8 Pole) 50Hz												
355S-8	132	740	256	310	94.2	0.82	6.5	2.0	2.2	1820		
355M-8	160	740	310	356	94.6	0.82	6.5	2.0	2.2	1900		
355L1-8	185	740	356	385	94.8	0.83	6.5	2.0	2.2	2100		
355L2-8	200	740	385		94.8	0.83	6.5	2.0	2.2	2180		
同步转速 600 转 / 分 (10 极) Synchronous Speed 600 r/min (10 Pole) 50Hz												
355S-10	90	580	186	228	93.0	0.78	6.0	1.5	2.1	1820		
355M1-10	110	580	228	272	93.2	0.78	5.5	1.3	2.1	1910		
355M2-10	132	580	272	330	93.5	0.78	5.5	1.3	2.1	2120		
355L1-10	160	580	330	360	93.6	0.78	5.5	1.3	2.1	2250		
355L2-10	185	580	360		93.6	0.78	5.5	1.3	2.1	2380		

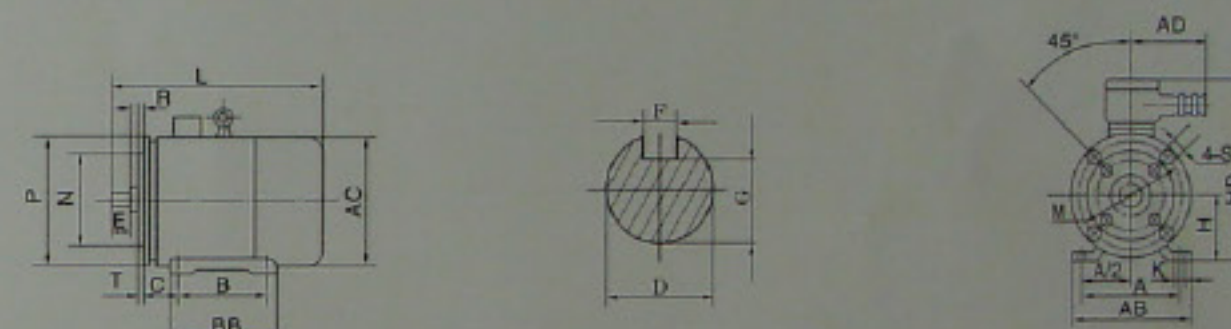
安装及外型尺寸 Basic Mounting Arrangement

1、B3 安装、机座有底脚、端盖无凸缘。  
B3 mounting, frame with feet, end-shield without flange.



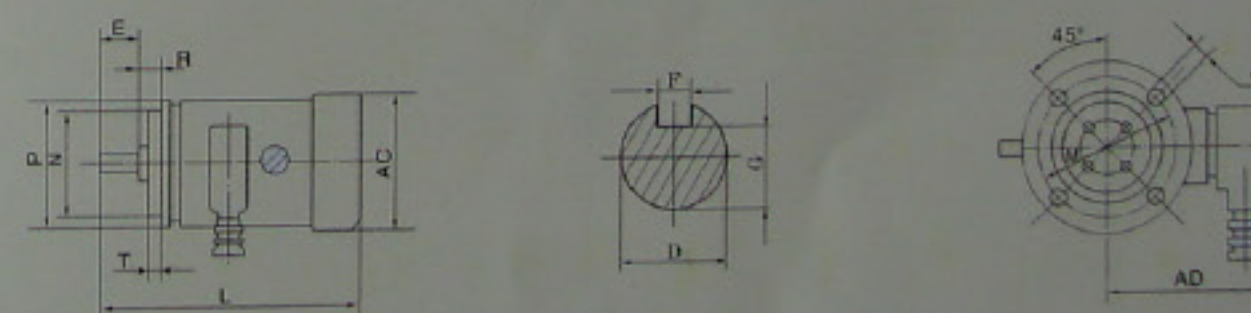
机座号 Frame Size	极数 No. of poles	安装尺寸 Mounting dimensions in mm										外形尺寸 Overall dimensions in mm					
		A	B	C	D	E	F	G	H	K	AB	AC	AD	BB	HD	L	
63	2,4	100	80	40	11	23	4	8.5	63		7	130	130	170	110	230	270
71	2,4,6	112	90	45	14	30	5	11	71		7	140	145		120	240	300

2、B35 安装、机座有底脚、端盖有凸缘。  
B35 mounting, frame with feet, end-shield with flange.



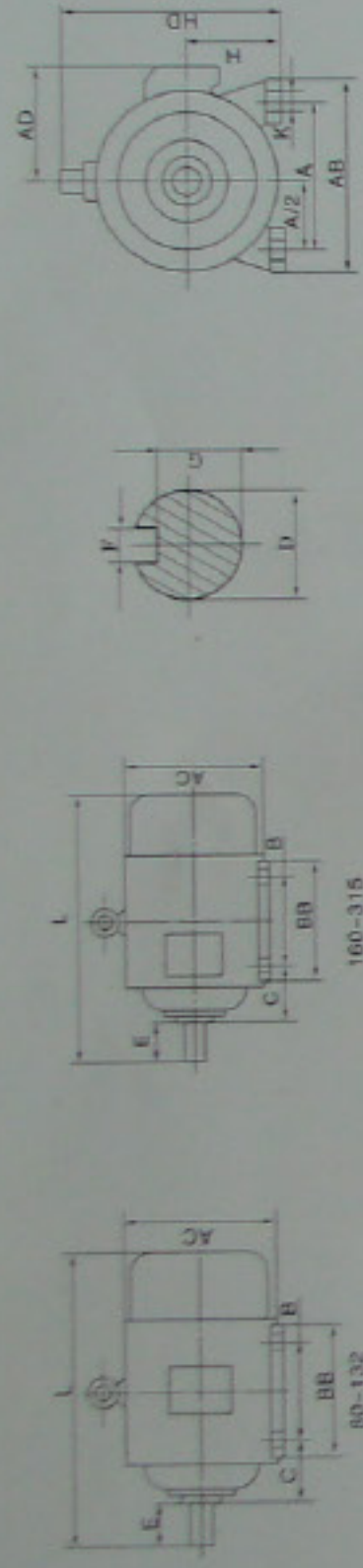
机座号 Frame Size	凸缘号 Flange No.	极数 No. of poles	安装尺寸 Mounting dimensions in mm													外形尺寸 Overall dimensions in mm							
			A	B	C	D	E	F	G	H	K	M	N	P	R	S	T	AB	AC	AD	BB	HD	L
63	FF115	2,4	100	80	40	11	23	4	8.5	63	115	95	140		0	10	3.0	130	130	170	110	230	270
71	FF130	2,4,6	112	90	45	14	30	5	11	71	130	110	160		0	10	3.0	140	145	170	120	240	300

3、B5 安装、机座无底脚、端盖有凸缘。  
B5 mounting, frame without feet, end-shield with flange.



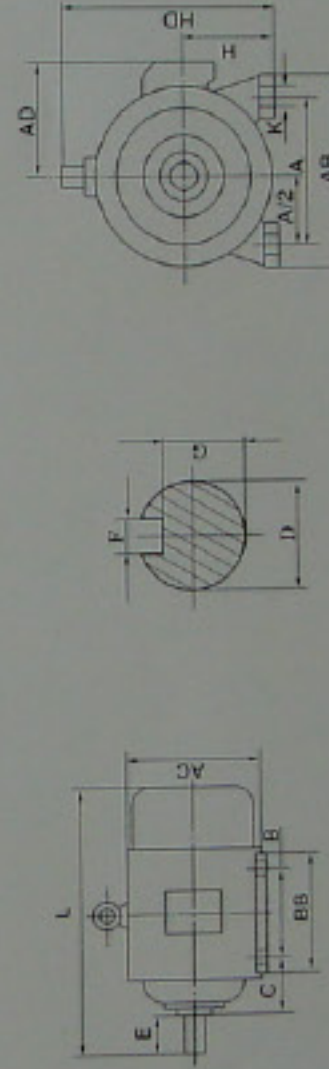
机座号 Frame Size	凸缘号 Flange No.	极数 No. of poles	安装尺寸 Mounting dimensions in mm										外形尺寸 Overall dimensions in mm			
			D	E	F	G	M	N	P	R	S	T	AC	AD	HE	L
63	FF115	2,4	11	23	4	8.5	115	95	140		0	10	3.0	130	140	270
71	FF130	2,4,6	14	30	5	11	130	110	160		0	10	3.0	145	155	300

B3 安装、机座带底脚端盖无凸缘 B3 Mounting, frame with feet, end-shield without flange.



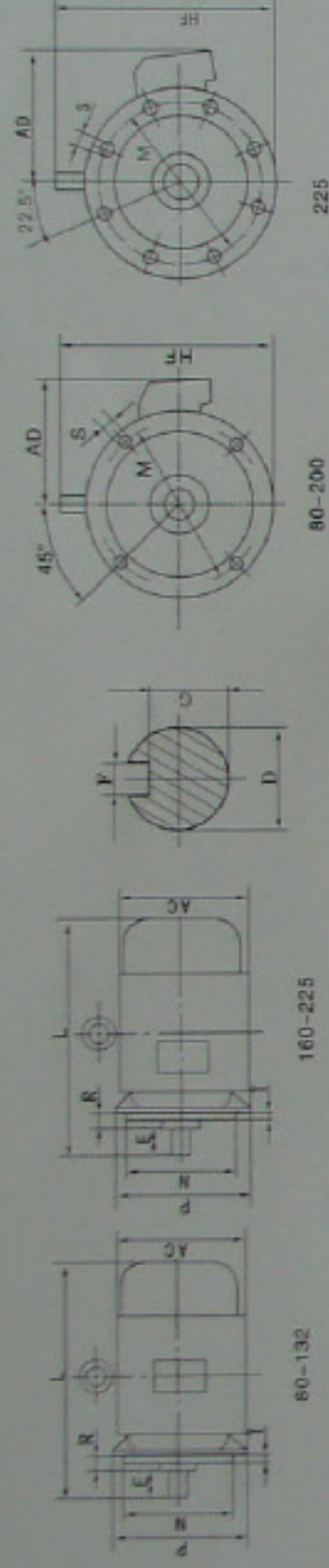
机座号 Frame Size	级数 No. of poles	安装尺寸 Mounting dimensions in mm										外形尺寸 Overall dimensions in mm									
		A	A/2	B	C	D	E	F	G	H	K	AB	AC	AD	BB	HD	L				
80	2, 4	125	62.5	100	50	19	40	6	15.5	60	10	165	175	150	130	175	290				
90S		140	70	125	55	24	50	8	20	90		180	195	160	155	195	315				
100L	2, 4, 6	160	80	140	63	28	60		24	100		205	215	180	176	245	360				
112M		190	95	140	70					112		245	240	190	160	265	400				
132S		216	108	178	89	38	80	10	33	132		280	275	210	200	315	475				
132M																					
160M	2, 4, 6, 8	254	127	210	106	42	110	12	37	160	0	330	335	265	270	385	605				
180M		279	139.5	241	121	48		14	42.5	180	-0.5	355	360	285	311	430	670				
200L		318	159	305	133	55	60	16	49	200		385	420	315	365	475	775				
225S	4, 8			286	60	140	18	53													
225M	2	356	178	311	149	55	110	16	49	225		435	475	345	391	530	815				
250M	4, 6, 8	406	203	348	168	60		18	53	250		490	515	385	445	575	880				
280S	2			388		65	140	20	67.5	280		550	580	410	520	640	1000				
280M	2	457	228.5	419	190	75		18	58												
	4, 6, 8				75	75		20	67.5												
315S	2			406		65	170	22	71		0										
	4, 6, 8, 10				80	80		170	22	315											
315M	2	508	254	457	216	65	140	18	58		-1.0	630	645	575	630	865	1270				
	4, 6, 8, 10				80	80		170	22												
315L	2			508		65	140	18	58												
	4, 6, 8, 10				80	80		170	22	71											

B3 安装、机座带底脚、端盖无凸缘 B3 Mounting, frame with feet, end-shield without flange.



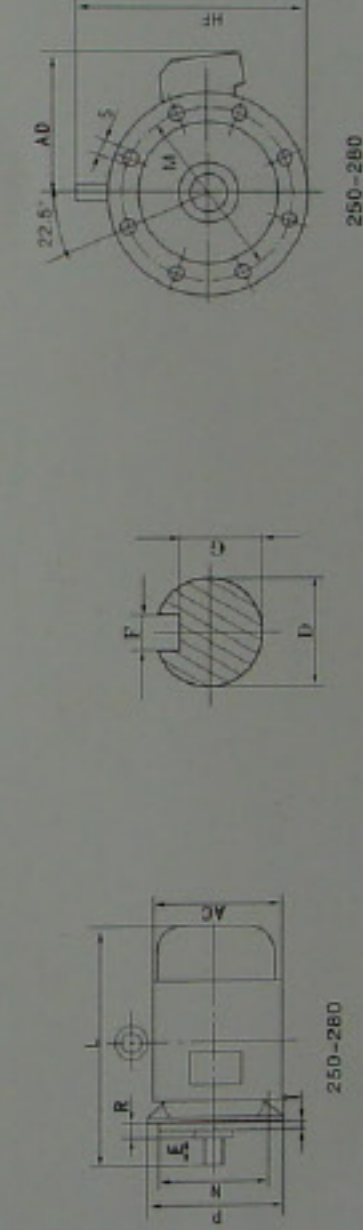
机座号 Frame Size	级数 No. of poles	安装尺寸 Mounting dimensions in mm										外形尺寸 Overall dimensions in mm									
		A	A/2	B	C	D	E	F	G	H	K	AB	AC	AD	BB	HD	L				
355S	2	610	305	500	254	75	140	20	67.5	355											
	4, 6, 8, 10	610	305	500	254	95	170	25	86	355											
355M	2	610	305	560	254	75	140	20	67.5	355	28	740	750	750	1080	1570					
	4, 6, 8, 10	610	305	560	254	95	170	25	86	355											
355L	2	610	305	630	254	75	140	20	67.5	355											
	4, 6, 8, 10	610	305	630	254	95	170	25	86	355											

B5 安装、机座无底脚端盖有凸缘



机座号 Frame Size	凸缘号 Flange No.	极数 No. of poles	安装尺寸 Mouting dimensions in mm													外形尺寸 Overall dimensions in mm					
			D	E	F	G	M	N	P	R	S	T	凸缘孔数 No. of flange hole	AC	AD	HF	L				
80		2,4	19	40	6	15.5												175	150	185	290
90S	FF165		24	50		20	165	130	200						12	3.5		195	160	195	315
90L		2,4,6			8													215	160	245	340
100L	FF215		28	60		24	215	180	250						15	4		240	190	265	380
112M																		275	210	315	475
132S	FF265		38	80	10	33	265	230	300									335	265	385	605
132M					12	37												380	285	430	650
160M		2,4,6,8	42			42.5	300	250	350			0						420	315	480	710
160L	FF300																	475	345	535	815
180M			48		14													500	500	600	945
180L																		560	550	660	1050
200L	FF350		55	60	16	49	350	300	400						19	5		500	500	600	945
225S		4,6	60	140	18	53												560	550	660	1050
225M	FF400		55	110	16	49	400	350	450									500	500	600	945
		4,6,8	60	140	18	53												560	550	660	1050

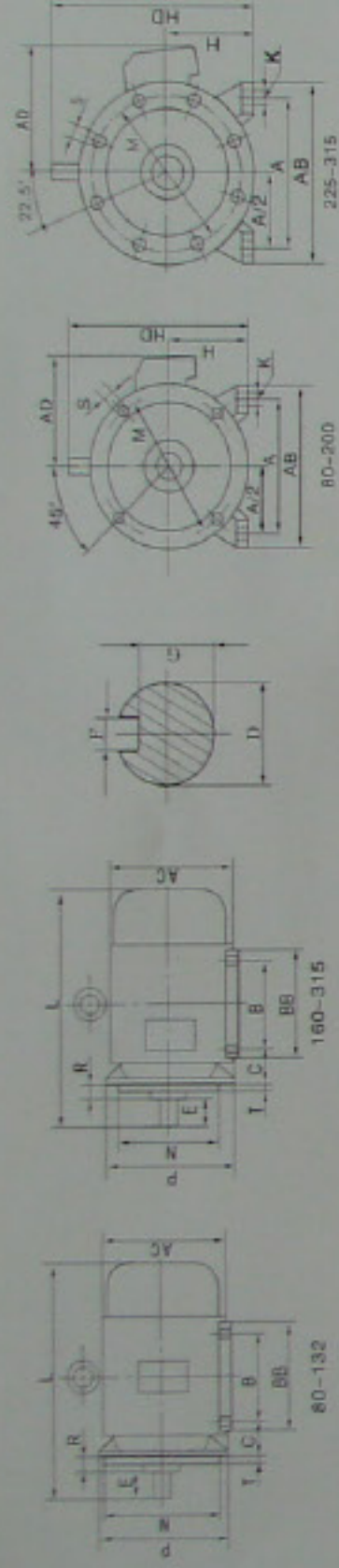
B5 安装、机座无底脚、端盖有凸缘



机座号 Frame Size	凸缘号 Flange No.	极数 No. of poles	安装尺寸 Mouting dimensions in mm													外形尺寸 Overall dimensions in mm					
			D	E	F	G	M	N	P	R	S	T	凸缘孔数 No. of flange hole	AC	AD	HF	L				
250M		2	60			53												500	500	600	945
		4,6,8	65			18	58											560	550	660	1050
280S	FF500	2	65	140			500	450	550									500	500	600	945
		4,6,8	75			20	67.5											560	550	660	1050
280M		2	65			18	58											500	500	600	945
		4,6,8	75			20	67.5											560	550	660	1050

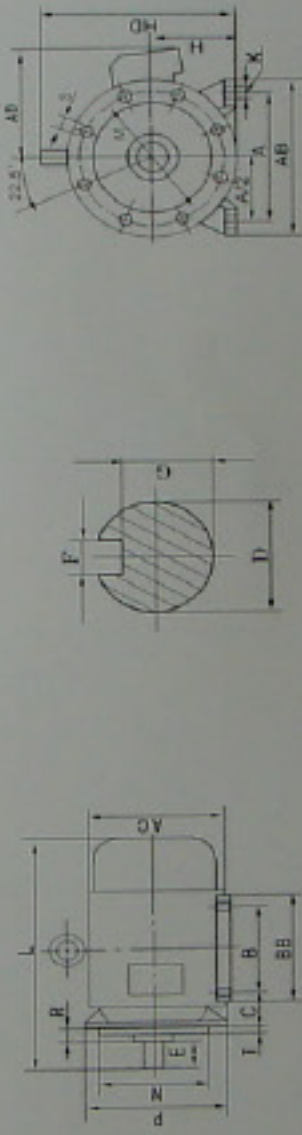


B35 安装、机座带底脚、端盖有凸缘 B35 Mounting, frame with feet, end-shield with flange.



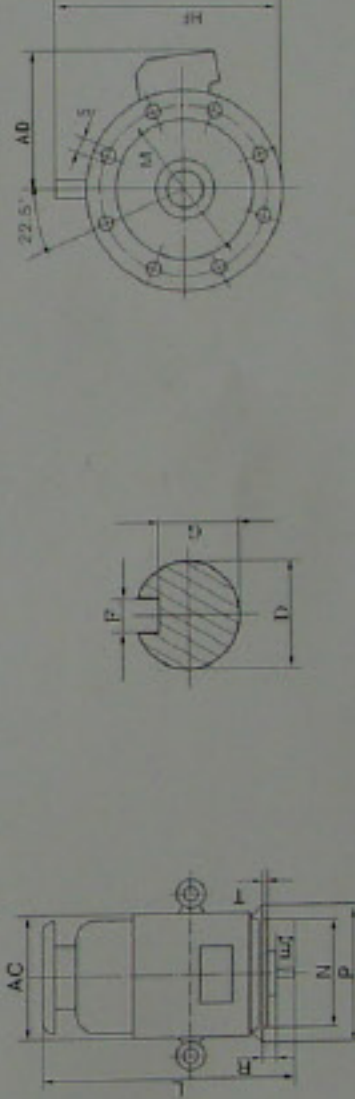
机座号 Frame Size	凸缘号 Flange No.	极数 No. of poles	安装尺寸 Mounting dimensions in mm														外形尺寸 Overall dimensions in mm						
			A	A2	B	C	D	E	F	G	H	K	M	N	P	R	S	T	凸缘孔数 No. of flange holes	AB	AC	AD	BB
80	FF165	2, 4	125	62.5	100	50	19	40	6	15.5	80	10	130	165	200	12	3.5	165	175	150	130	175	290
90S		2, 4, 6	140	70	100	56	24	50	8	20	90	10	180	215	250	15	4	180	195	160	155	195	315
100L	FF215		160	80	140	63	28	60	8	24	112	12	230	265	300			205	215	180	176	245	380
112M			190	95	140	70	28	80	10	33	132	15	250	300	350			245	240	190	180	265	400
132S	FF265		216	108	178	89	38	80	10	33	132	15	250	300	350			280	275	210	238	315	475
160M		2, 4, 6, 8	254	127	254	108	42	110	14	42.5	180	19	350	400	450	19	5	330	335	265	270	385	605
180L	FF300		279	139.5	241	121	48	110	14	42.5	180	19	350	400	450	19	5	335	380	285	311	430	670
200L	FF350		318	159	305	133	55	16	49	200								395	420	315	365	475	775
225S	FF400	4, 8	356	178	311	149	55	110	16	49	225	19	350	400	450	0	19	435	475	345	391	530	815
250M		4, 6, 8	406	203	349	168	60	18	53	250								490	515	358	455	575	930
280S	FF500	2	457	228.5	368	180	65	140	20	67.5	280	24	450	500	550			550	585	410	550	640	1000
280M		2	457	228.5	368	180	65	140	20	67.5	280	24	450	500	550			550	585	410	550	640	1000
315S		4, 6, 8	406	203	349	168	60	18	53	250								490	515	358	455	575	930
315M	FF600	2	508	254	457	216	65	140	18	58	315	28	550	600	660	24	6	630	645	576	630	865	1240
315L		4, 6, 8, 10	508	254	457	216	65	140	18	58	315	28	550	600	660	24	6	630	645	576	630	865	1240
		2	508	254	457	216	65	140	18	58	315	28	550	600	660	24	6	630	645	576	630	865	1310
		4, 6, 8, 10	508	254	457	216	65	140	18	58	315	28	550	600	660	24	6	630	645	576	630	865	1340

B35 安装、机座带底脚、端盖有凸缘 B35 Mounting, frame with feet, end-shield with flange.



机座号 Frame Size	凸缘号 Flange No.	极数 No. of poles	安装尺寸 Mounting dimensions in mm														外形尺寸 Overall dimensions in mm							
			A	A2	B	C	D	E	F	G	H	K	M	N	P	R	S	T	凸缘孔数 No. of flange holes	AB	AC	AD	BB	HD
355S		2	500	245	75	140	20	67.5																1510
355M	FF740	2	900	245	95	170	25	86																630
355L		4, 6, 8, 10	610	305	560	245	75	140	20	67.5	355	28	740	680	800	0	24	6.0	740	750	710	700	1080	1570
		2	630	245	75	140	20	67.5																1310
		4, 6, 8, 10	630	245	75	140	20	67.5																1340
		2	630	245	75	140	20	67.5																1690

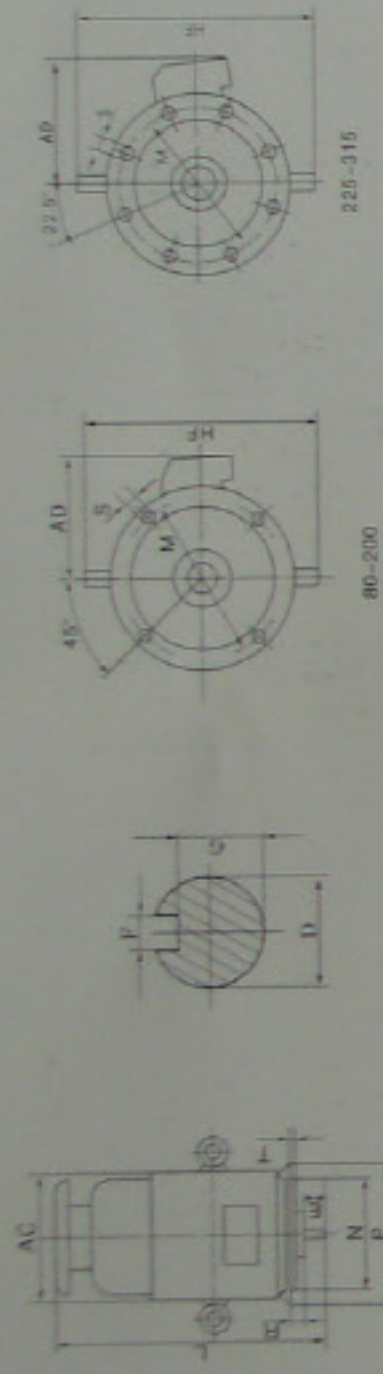
V1 安装、机座无底脚、端盖有凸缘、轴伸向下 V1 Mounting, frame without feet, end-shield with flange, shaft extensions downward.



机座号 Frame Size	凸缘号 Flange No.	极数 No. of poles	安装尺寸 Mounting dimensions in mm														外形尺寸 Overall dimensions in mm							
			D	E	F	G	M	N	P	R	S	T	凸缘孔数 No. of flange holes	AC	AD	HF	L							
355S		2	75	140	20	67.5																		1600
355M	FF740	2	170	140	20	67.5	86																	900
355L		4, 6, 8, 10	75	140	20	67.5	86	740	680	800	0	24	6.0	8	750	725							1780	
		2	170	140	20	67.5	86																	900
		4, 6, 8, 10	75	140	20	67.5	86																	1780

佳木斯防爆电机有限公司

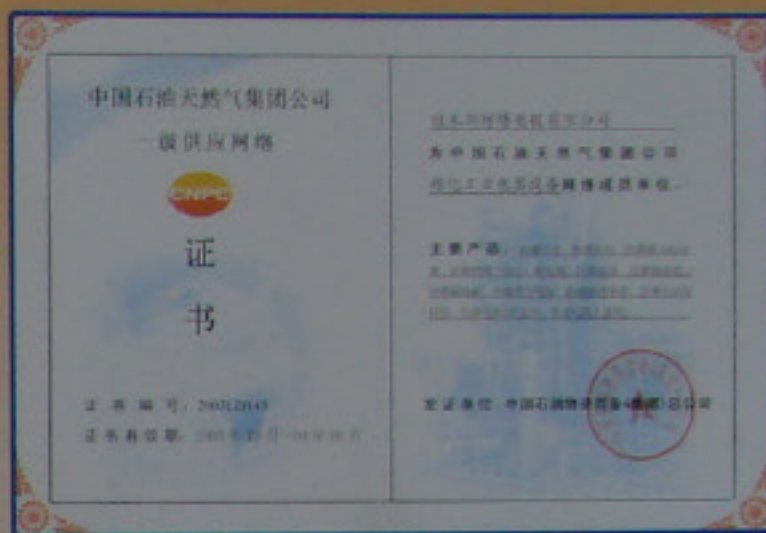
V1 安装、机座无底脚、端盖有凸缘、轴伸向下 V1 Mounting, frame without feet, end-shield with flange, shaft extensions downward.



机座号 Frame Size	凸缘号 Flange No.	极数 No of poles	安装尺寸 Mounting dimensions in mm										外形尺寸 Overall dimensions in mm						
			D	E	F	G	M	N	P	R	S	T	凸缘孔数 No of flange hole	AC	AD	HF	L		
80		2,4	19	40	6	15.5	165	130	200	12	3.5		175	150	185	340			
90S	FF165		24	50	8	20	215	180	250	15	4		195	160	195	365			
100L	FF215	2,4,6	28	60	10	24	265	230	300	19	5		215	180	245	435			
112M			38	80	12	37	300	250	350			4	240	190	265	455			
132S	FF285		42	110	14	42.5	350	300	400	0			275	210	315	570			
160M		2,4,6,8	48	140	16	49	400	350	450				355	265	385	660			
180L	FF300		55	170	18	56	500	450	550				380	285	500	730			
200L	FF350	2	60	180	20	67.5	550	500	600				420	315	550	850			
225S		4,8	60	140	18	53	600	550	660				475	345	610	910			
250M	FF400	2	65	170	22	71	650	600	700				515	385	650	1035			
280S		4,6,8	65	140	18	56	700	650	750				580	410	720	1120			
280M	FF500	2	75	200	20	67.5	750	700	800			8				1170			
315S		4,6,8	80	170	22	71	800	750	850							1360			
315M	FF600	2	85	200	24	82	850	800	900							1390			
355L		4,6,8	80	170	22	71	900	850	950							1460			
																1490			



SINOPEC 市场成员证书



CNPC 认证证书



俄罗斯防爆产品认证证书



ISO9001:2000 认证证书

订货须知

1. 本样本所提供的数据仅供用户参考, 具体数据允有变动, 恕不另行通知。
2. 订货时请注明所需电动机型号、功率、同步转速、电压、频率和安装结构型式、防护等级、防护类型等。
3. 如有特殊要求, 经双方协议后, 还可提供各种特殊规格电机(如不同电压、不同频率、双轴伸、接线盒的位置、噪声要求、不同的环境条件、干湿热带型等)。

Ordering Requirements

1. The data given in this catalogue are only for user reference, and special data shown herein is subject to alteration without notice.
2. Specify the type of the motor, rated output, synchronous speed, voltage, frequency, mounting arrangement, degree of protection, type of protection, etc., when ordering.
3. If you have other special requirements for the motors when ordering, the special motor should be supplied by the agreement of both parties (e.g. different voltage, different frequency, double shaft extensions, position of the terminal box, noise requirements, different conditions, and dry or humid tropic type, etc.)